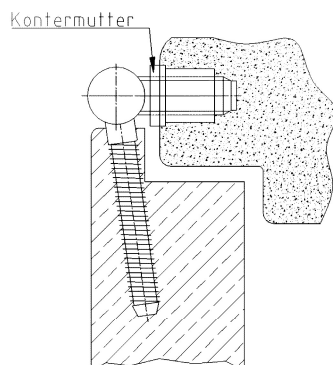


Additional Information

Standard load: Maximum door weight 30 kg (per pair)
 Application: Frame part for solid frames with cast-in mounting nut M10
 Combination: COMBICA® door part 1525 A7
 Receiver: Mounting nut M10 or corresponding steel receiver with mounting thread M10

Section Drawing



Item	Finish	PU
022567	vernickelt	300
022568	gold plated	300
022569	white coated	300
022570	enox brushed	300