

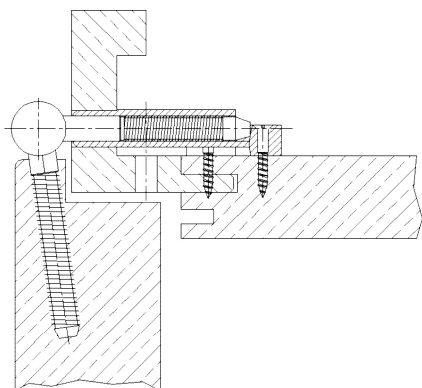
Additional Information

Standard load: Maximum door weight 30 kg (per pair)

Application: Door part for rebated interior doors, **height adjustable** +4mm/-3mm, interchangeable with normal door part in case of installation problems

Combination: COMBICA ® frame parts 1534, 1544, 1545, 1581

Section Drawing



Item	Finish	PU
020312	weiß besch.	200
020781	ZN blau	200
020782	vernickelt	200
044348	vergoldet	200