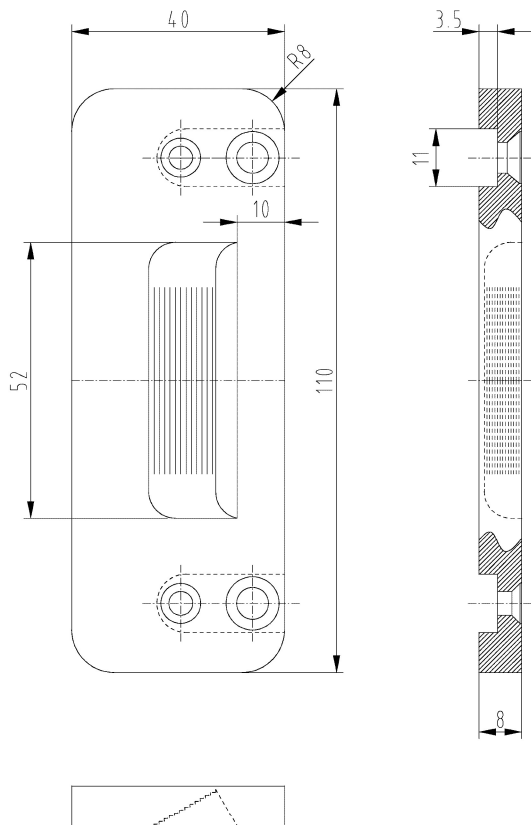


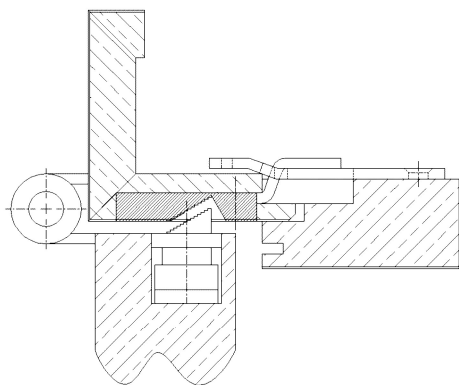
**Safety Device, non-rebated door**



**Additional Information**

System: 1, GN, HS  
 Application: Safety device for rebated doors with wooden frame; has to be recessed, avoids lifting of the leaf when door is closed  
 Reference: Adjustable leaf part according to catalogue page 08.25.  
 Compatibility: Safety plates with reference A-N

**Section Drawing**



Item	Finish	PU Remark
039452	nickel plated	20 Bandseitensicherung, stumpf
040934	zinc plated	20 Bandseitensicherung, stumpf