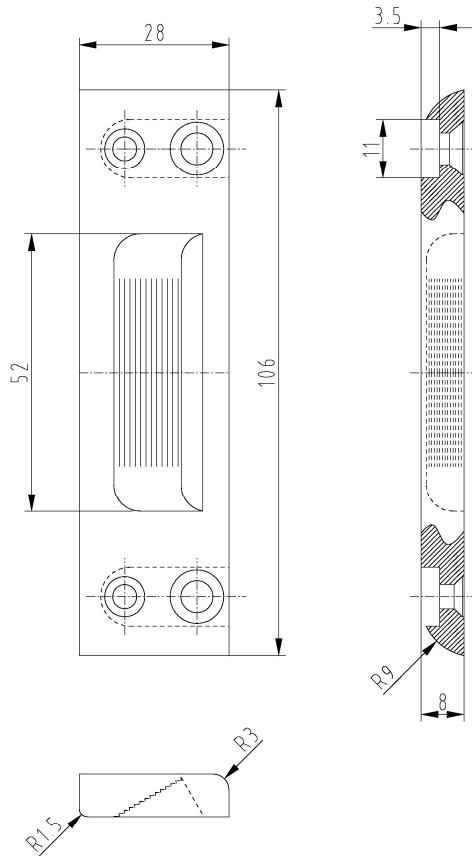
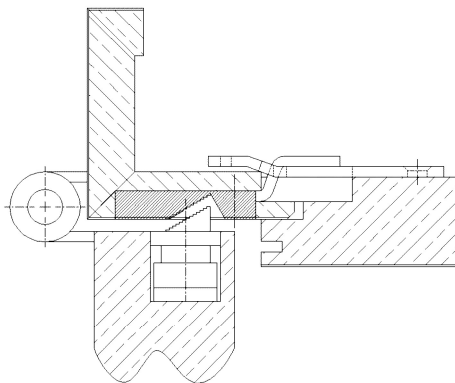


Safety Device, rebated door



Section Drawing



Additional Information

System: 1, GN, HS
 Application: Safety device for rebated doors with wooden frame; has to be recessed, avoids lifting of the leaf when door is closed
 Reference: Adjustable leaf part according to catalogue page 08.25.
 Compatibility: Saftey plates with reference A-N

Item	Finish	PU Remark
039453	nickel plated	40 Bandseitensicherung, überfältzt