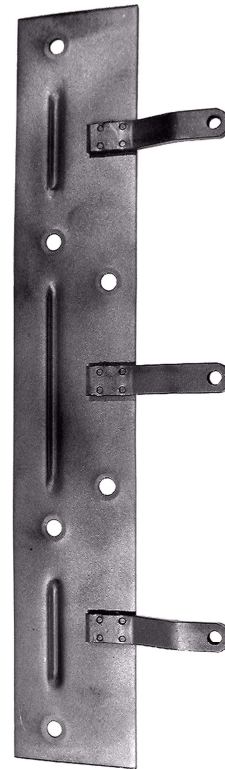
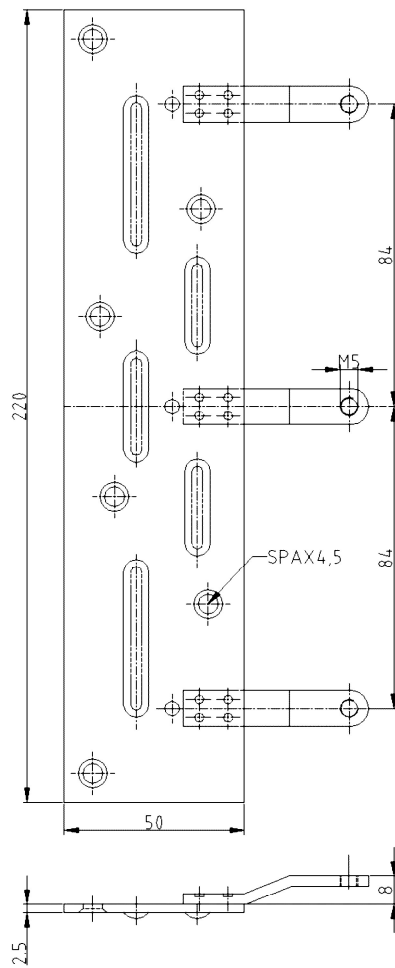


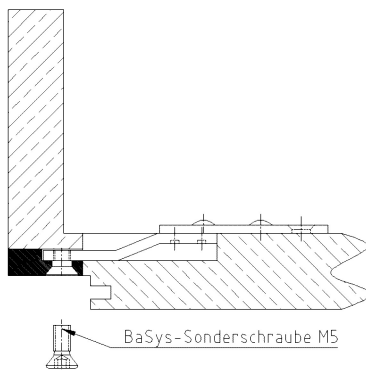
Safety Plate (C-H)



Additional Information

System: 3
 Application: Safety plate for rebated doors, the safety plate is screwed from the back; the striking plates are screwed to the lugs, for heavy duty doors according to RC2 or RC3
 Compatibility: C-H

Section Drawing



Item	Finish	PU Remark
044759	without finish	50 SI-Blech für 2-Loch SBL H=8mm