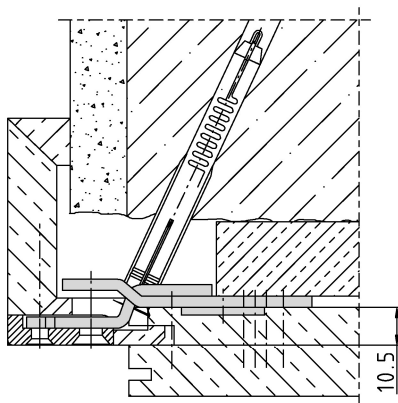


**Section Drawing**



**Additional Information**

System: GN  
 Application: The safety plate is screwed from the back, the striking plates are screwed to the lugs, for heavy duty doors according to RC2 or RC3, parallel pins facilitate the positioning of the sheet metal in the frame; adaptation to different lining thickness through variable flap deflection  
 Compatibility: A-N

Item	Finish	PU Remark
040486	without finish	50 SI-Blech schwer 1-L. m. Zentriern. Kr.5,€