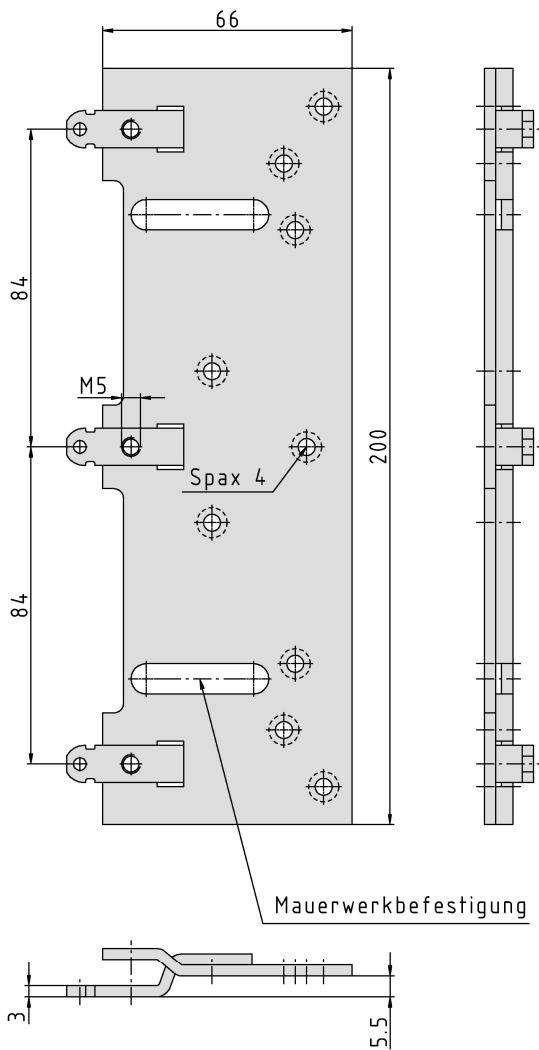


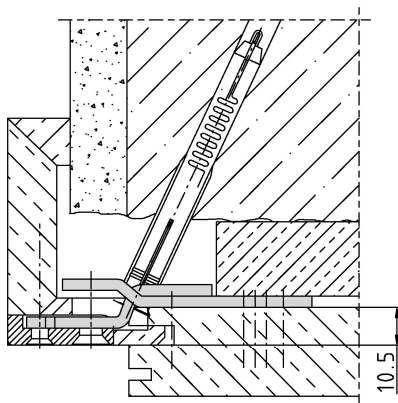
Safety Plate (A-H)



Additional Information

System: GN
 Application: The safety plate is screwed from the back, the striking plates are screwed to the lugs, for heavy duty doors according to RC2 or RC3, adaptation to different lining thickness through variable flap deflection
 Compatibility: A-H

Section Drawing



Item	Finish	PU Remark
040484	without finish	30 SI-Blech schwer RC2/3 2-Loch Kr.5,5