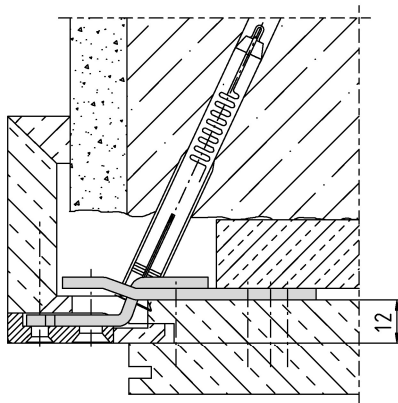


**Additional Information**

System: 1  
 Application: The safety plate is screwed from the back, the striking plates are screwed to the lugs, for heavy duty doors according to RC2 or RC3, adaptation to different lining thickness through variable flap deflection  
 Compatibility: A-N

**Section Drawing**



Item	Finish	PU Remark
039883	troval./passiv.	50 SI-Blech schwer RC2/3 1-Loch Kr.7.0