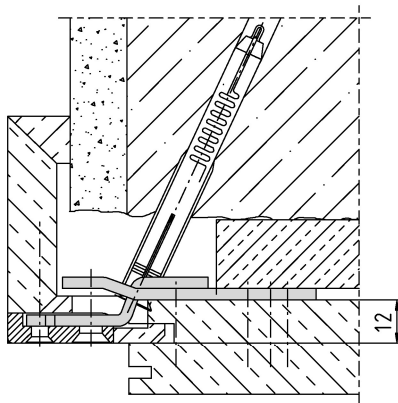


Additional Information

System: 1
 Application: The safety plate is screwed from the back, the striking plates are screwed to the lugs, for heavy duty doors according to RC2 or RC3, the middle lug is omitted for function elements like electric opener
 Compatibility: A-F

Section Drawing



Item	Finish	PU Remark
039345	ohne Oberfl.	30 SI-Blech schwer, 2 Laschen, Kr. 7.0