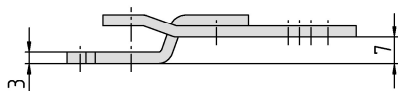
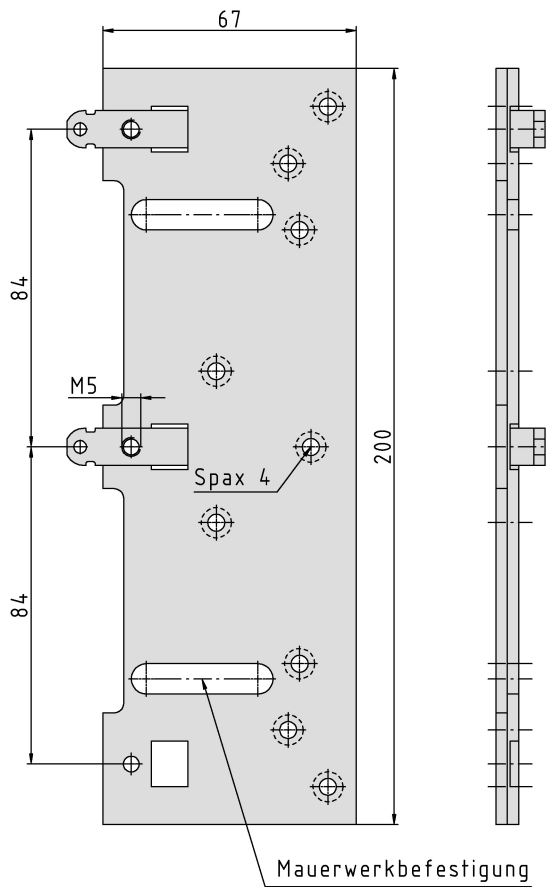
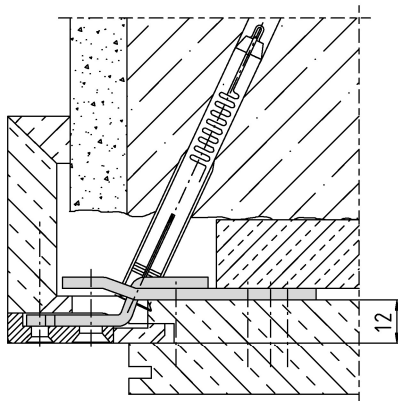


Safety Plate (A-N)



Section Drawing



Additional Information

System: 1
 Application: The safety plate is screwed from the back, the striking plates are screwed to the lugs, for heavy duty doors according to RC2 or RC3, the middle lug is omitted for function elements like E-Opener, adaptation to different lining thickness through variable flap deflection
 Compatibility: A-N

Item	Finish	PU Remark
039263	ohne Oberfl.	30 SI-Blech schwer RC2/3 1-Loch Kr.7.0