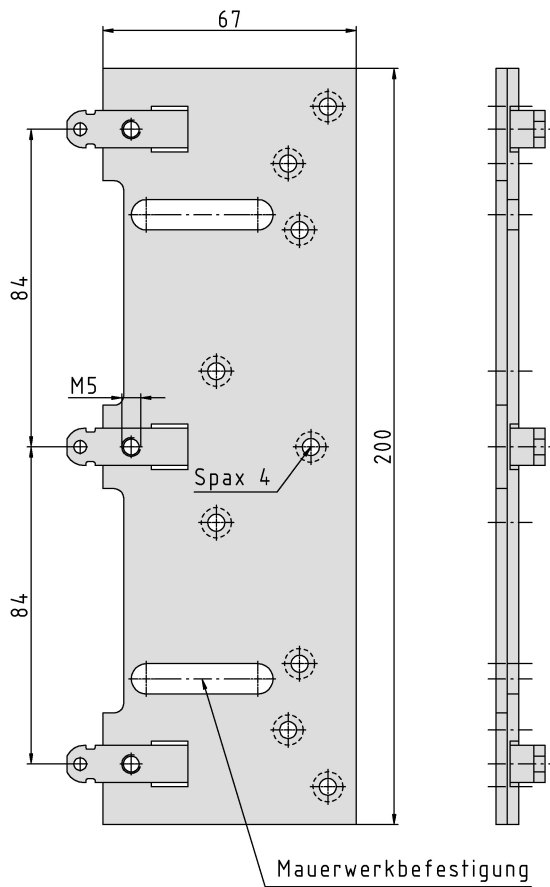


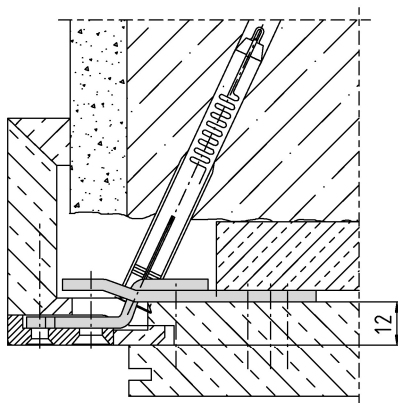
**Safety Plate (A-H)**



**Additional Information**

System: 1  
 Application: The safety plate is screwed from the back; the striking plates are screwed to the lugs, for heavy duty doors according to RC2 or RC3  
 Compatibility: A-H

**Section Drawing**



Item	Finish	PU Remark
039264	troval./passiv.	30 SI-Blech schwer RC2/3 2-Loch Kr.7.0