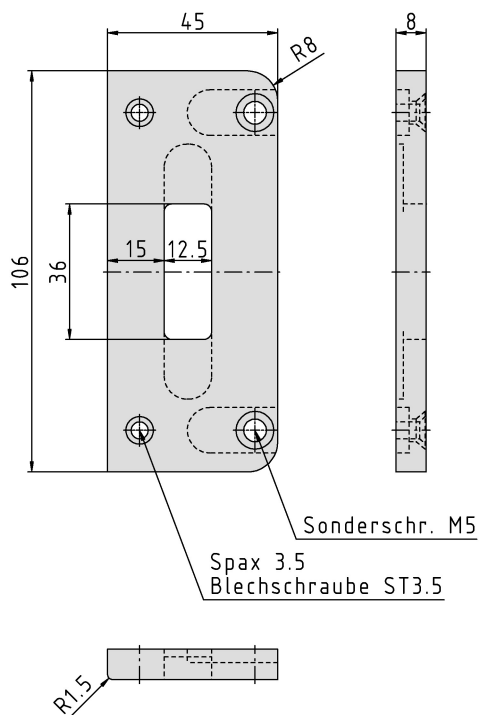


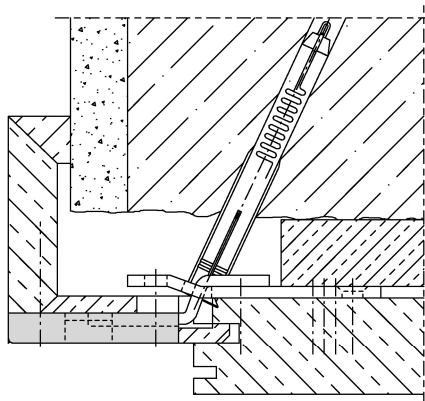
Safety Locking Plate, solid, non-rebated



Additional Information

System: 1, GN, HS
 Application: Striking plate system for non-rebated doors, solid striking plate, has to be recessed, usable for additional latch (3 point/5 point interlock), at high loads e. g. g. RC2-/ RC3 doors;
 Compatibility: Plastic lining with reference A, safety plates with reference A-N

Section Drawing



Item	Finish	PU Remark
040299	new silver	1 SBL Decora 45 1-Loch GU SH2