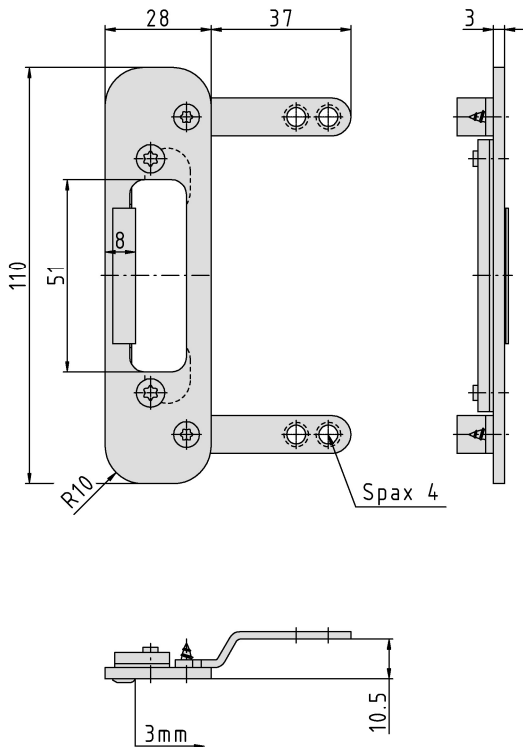
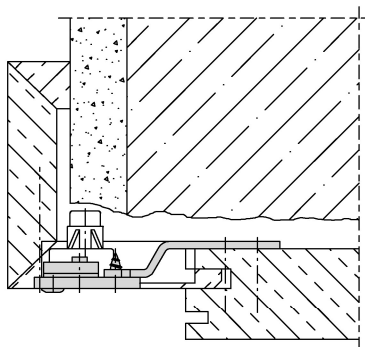


**Safety Locking Plate, light, non-rebated**



**Section Drawing**



**Additional Information**

System: GN  
 Application: Striking plate system for non-rebated doors, has to be recessed, suitable for all magnetic locks; contact pressure seal adjustable 3 mm;  
 Accessories: necessary plastic lining "magnetic" (page 03.Z94)  
 Compatibility: plastic lining with reference B for locking latch, safety plates  
 with reference A-N

Item	Finish	PU Remark
040535	enox brushed	120 SBL Nr.106 justierbar V3 magnetic