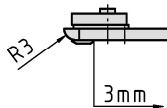
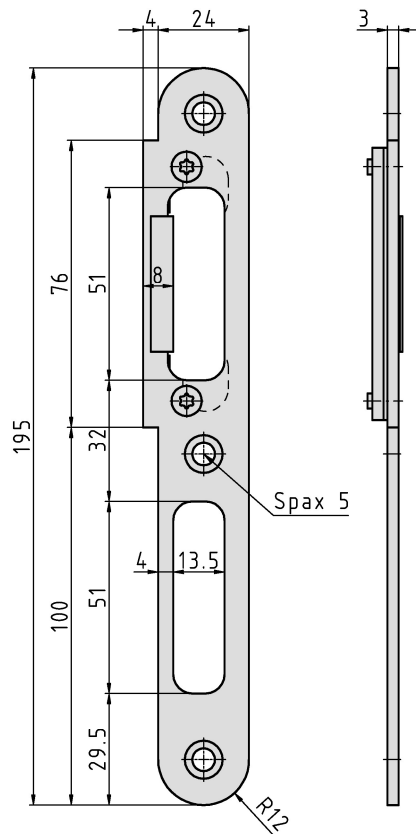


Main Locking Plate, light, non-rebated



dargestellt: DIN-Rechts

Additional Information

- System: 4
 Application: Striking plate for non-rebated and rebated doors, has to be recessed; suitable for all DIN locks; latch opening is adjustable (3 mm), concealed adjustment mechanism; made of stainless steel components
 Accessories: plastic lining with reference B for locking latch, with reference C for pusher latch, safety plate with reference D

Item	Finish	PU Remark
037949	enox brushed	60 SBL 2-L. justierbar V3 li., 8 mm
037950	enox brushed	60 SBL 2-L. justierbar V3 re., 8 mm