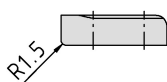
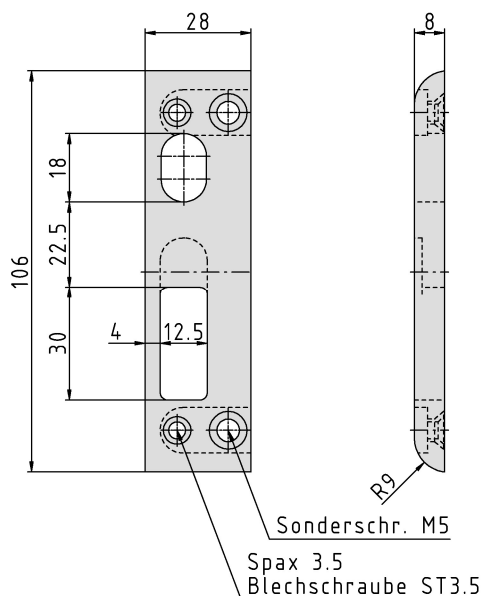


**Safety Locking Plate, solid, rebated**



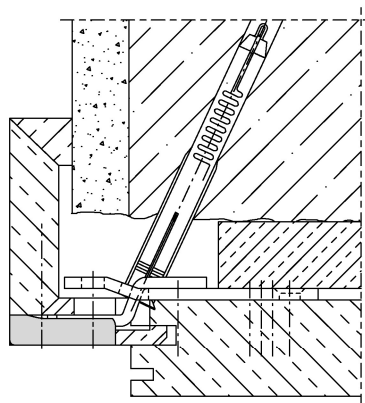
dargestellt: DIN-Rechts



**Additional Information**

System: 1, GN, HS  
 Application: Striking plate system for rebated doors, solid striking plate, has to be recessed, for pan bolt with additional locking, usable for KFV (3 point/5 point interlock), at high loads e.g. RC2-/ RC3 doors;  
 Compatibility: Plastic lining with reference A, safety plates with reference A-N

**Section Drawing**



Item	Finish	PU Remark
037714	silver color	40 SBL Decora 28, KFV AS 2602 LS
037881	Sterling silver	40 SBL Decora 28, KFV AS 2602 LS
041030	enox brushed	40 SBL Decora 28, KFV AS 2602 LS
041143	new silver	40 SBL Decora 28, KFV AS 2602 LS
037715	silver color	40 SBL Decora 28, KFV AS 2602 RS
037882	Sterling silver	40 SBL Decora 28, KFV AS 2602 RS
041031	enox brushed	40 SBL Decora 28, KFV AS 2602 RS
041144	new silver	40 SBL Decora 28, KFV AS 2602 RS