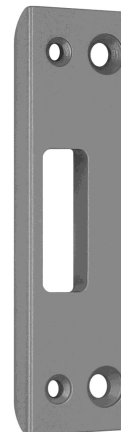
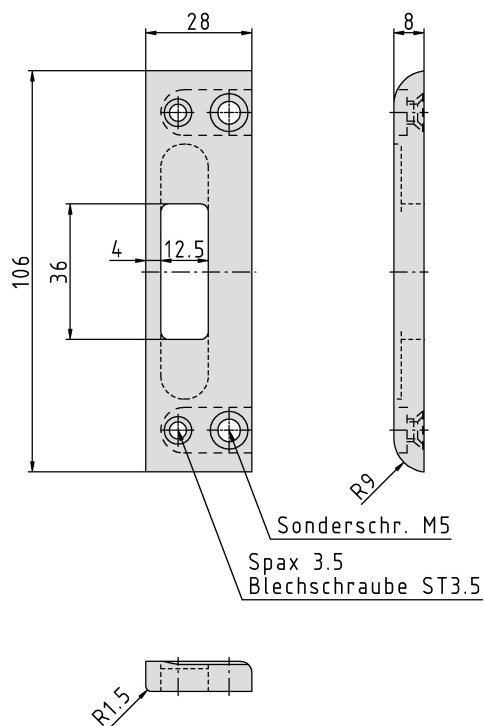


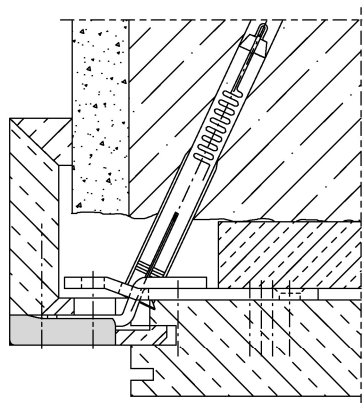
Safety Locking Plate, solid, rebated



Additional Information

- System: 1, GN, HS
 Application: Striking plate system for rebated doors, solid striking plate, has to be recessed, usable for additional latch (3 point / 5 point interlock), at high loads e.g. RC2-/ RC3 doors;
 Compatibility: Plastic lining with reference A, safety plates with reference A-N

Section Drawing



Item	Finish	PU Remark
040104	new silver	40 SBL 106 mm Schwenkriegel schwer
039685	Sterling silver	40 SBL Decora 28 1-Loch GU SH2
040513	Niro gebürstet	40 SBL Decora 28 1-Loch GU SH2