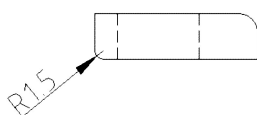
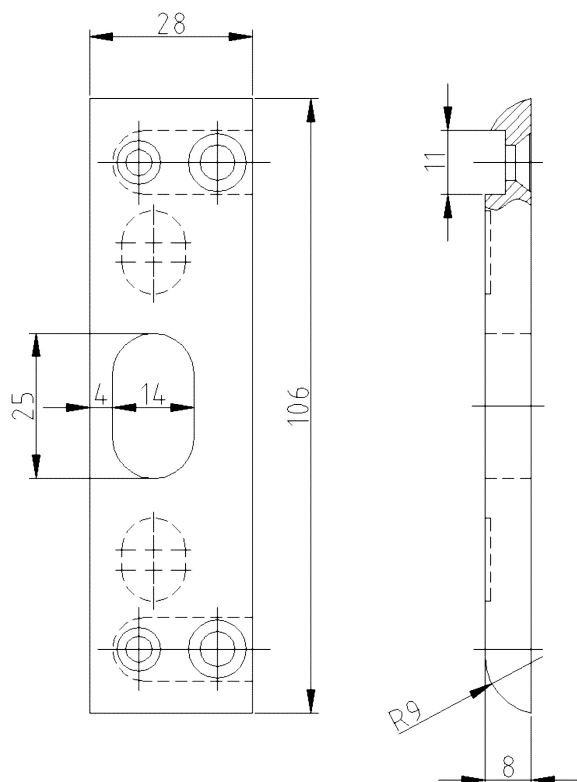
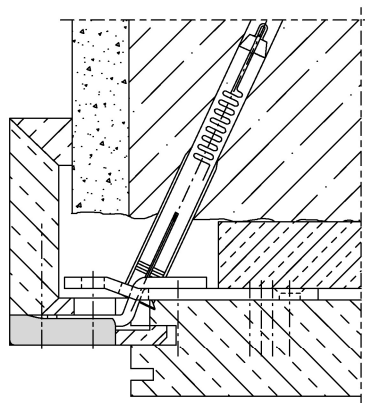


**Safety Locking Plate, solid, rebated**



**Section Drawing**



**Additional Information**

Standard load: Maximum door weight 150 kg  
 Application: Striking plate for rebated doors, has to be recessed, suitable for additional bolt locking mechanism (3-point/5-point locking), made of solid steel, for heavy duty doors according to RC2 or RC3, prepared for screwing to safety plates with a minimum of milling effort  
 Accessory: appropriate STABILO® safety plates and plastic lining System1

Item	Finish	PU Remark
040102	new silver	40 SBL 106 mm 1-Loch schwer
040103	enox brushed	40 SBL 106 mm 1-Loch schwer
039262	Sterling silver	40 SBL 28 1-Loch schwer
039378	gold plated	40 SBL 28 1-Loch schwer