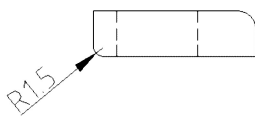
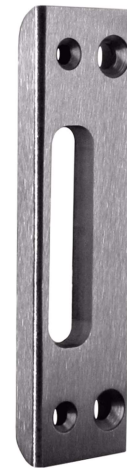
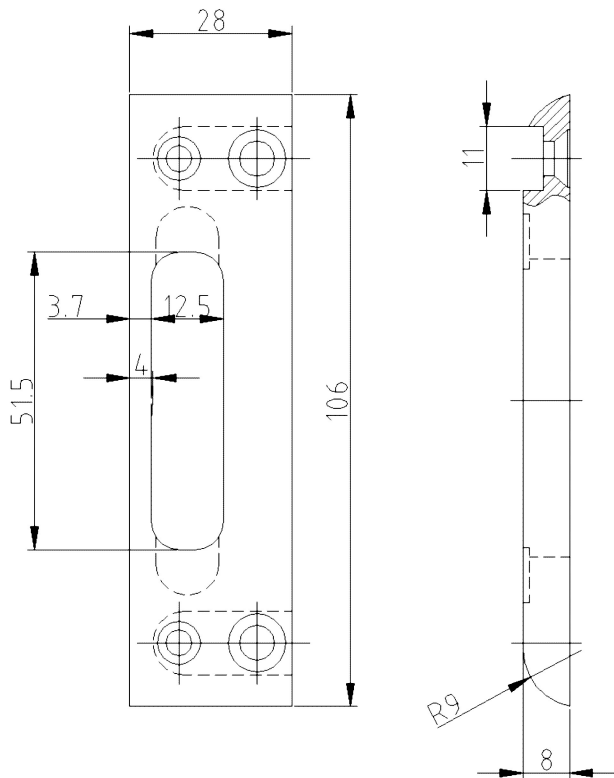


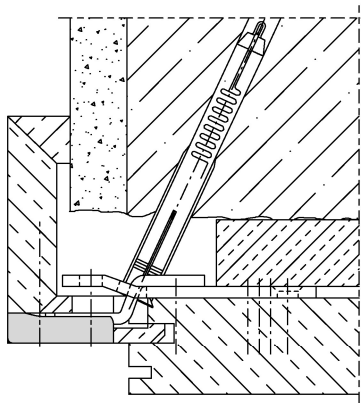
Safety Locking Plate, solid, rebated



Additional Information

System: 1, GN, HS
 Application: Striking plate system for rebated doors, solid striking plate, has to be recessed, usable for additional latch (3 point /5 point interlock), at high loads e.g. RC2-/ RC3 doors;
 Compatibility: Plastic lining with reference A, safety plates with reference A-N

Section Drawing



Item	Finish	PU Remark
040105	new silver	40 SBL 106 mm 1-Falle schwer
039261	Sterling silver	40 SBL 28 1-Falle schwer
039548	Niro gebürstet	40 SBL 28 1-Falle schwer
039866	gold plated	40 SBL 28 1-Falle schwer