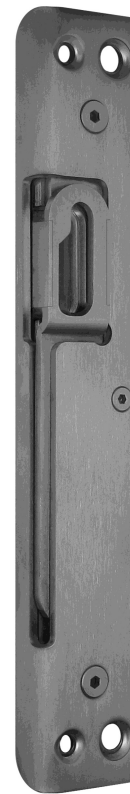
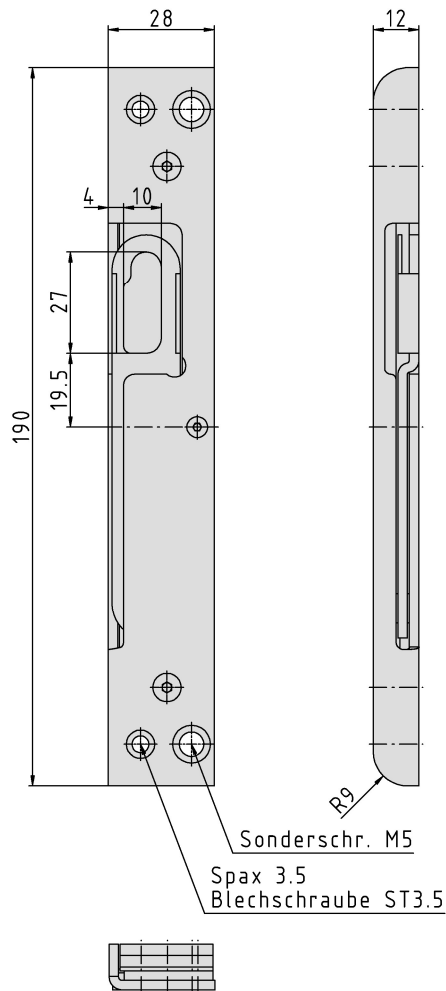


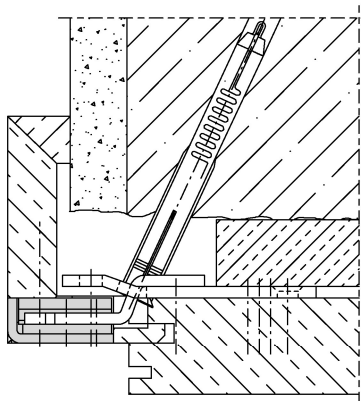
Main Locking Plate, solid, rebated



Additional Information

System: 1, GN, HS
 Application: Striking plate system prepared with integrated door gap protection (KFV) for rebated doors, solid striking plate, has to be recessed, suitable for TSH GU; at high loads e.g. RC2-/ RC3 doors;
 Compatibility: Safety plates with reference A-F

Section Drawing



Item	Finish	PU Remark
040554	enox brushed	40 SBL Decora 28x12 TSH/T2 KFV LS
040553	enox brushed	40 SBL Decora 28x12 TSH/T2 KFV RS