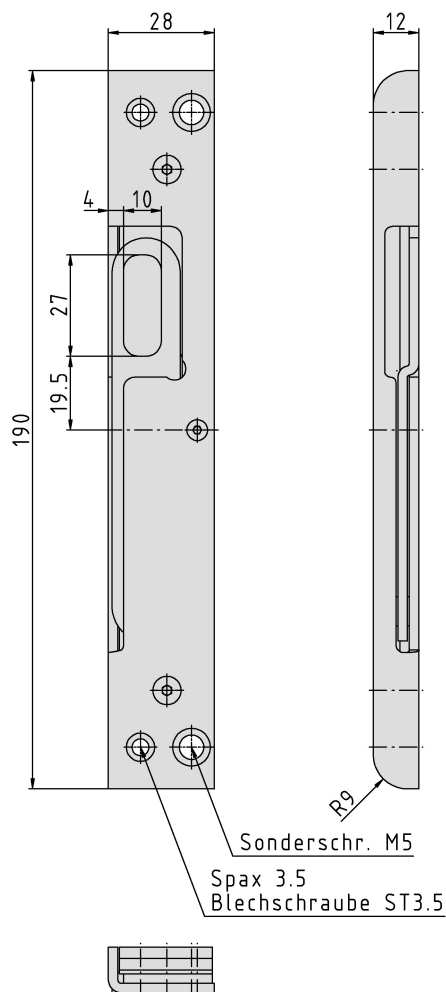


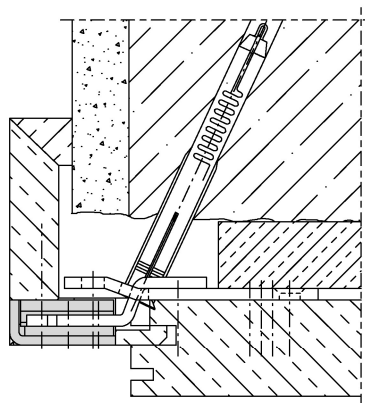
Main Locking Plate, solid, rebated



Additional Information

System: 1, GN, HS
 Application: Striking plate system prepared with integrated door gap protection (GU) for rebated doors, solid striking plate, has to be recessed, suitable for TSH GU; at high loads e.g. RC2-/ RC3 doors;
 Compatibility: Plastic lining with reference A, Safety plates with reference A-F

Section Drawing



Item	Finish	PU Remark
039547	enox brushed	20 SBL Decora 28x12 Sperrbügel TSH GU
039546	enox brushed	20 SBL Decora 28x12 Sperrbügel TSH GU