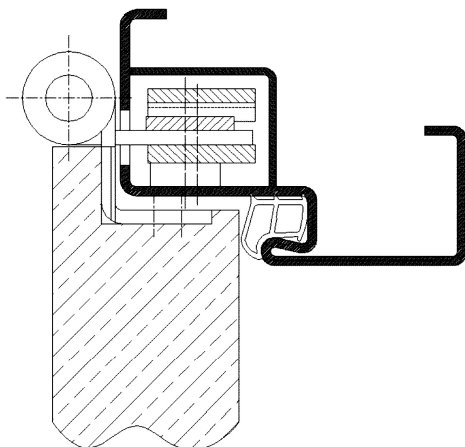


Additional Information

Standard load: Maximum door weight 100 kg (per pair)
 Application: Aluminium frames, 3-D receiver, completely assembled, suitable for rebated and non-rebated doors
 Combination: all OBJECTA® heavy duty hinges with 56 mm (VX) connection size

Section Drawing



Item	Finish	PU
039102	zinc plated	25