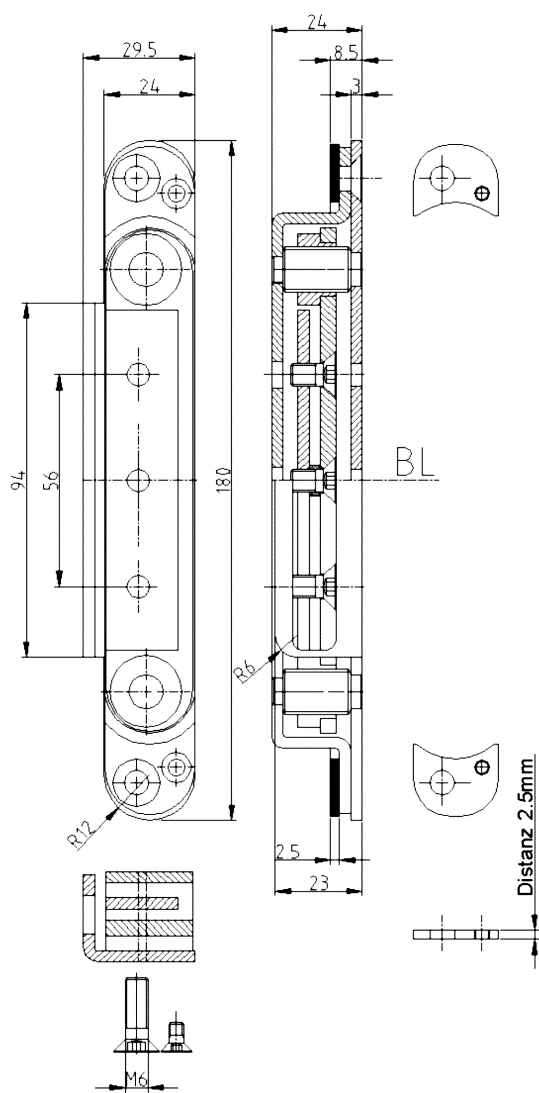


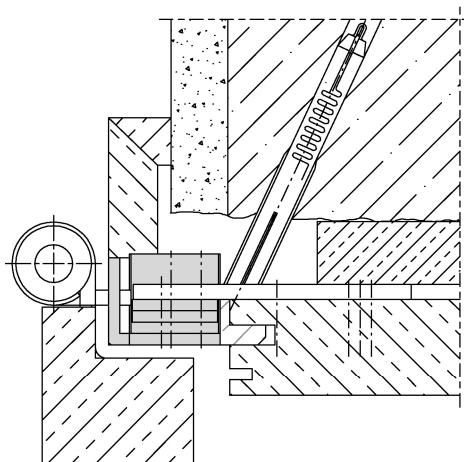
**OBJECTA® STV83/56-1 3-D**



**Additional Information**

Standard load: Maximum door weight 150 kg (per pair)  
 Application: Wood frames, 3-D receiver, **fully assembled**, integr. pull-out protection, adjustment range 3 mm in all directions, solid front plate made of steel/enox, available in different, pre-installed heights  
 Combination: all OBJECTA® heavy duty hinges with 56 mm (VX) connection size  
 Accessories: Safety plates (p. 02.A30 ff.)

**Section Drawing**



Item	Finish	PU	Remark
022636-1	enox brushed	20	OBJECTA® STV83/56-1 3-D (8.5 mm)
022637-1	gold plated	20	OBJECTA® STV83/56-1 3-D (8.5 mm)
022727-1	nickel plated	20	OBJECTA® STV83/56-1 3-D (8.5 mm)
022847-1	weiß beschichtet	20	OBJECTA® STV83/56-1 3-D (8.5 mm)
037117-1	satın nickel plater	20	OBJECTA® STV83/56-1 3-D (8.5 mm)
037551-1	satın chrome plat	20	OBJECTA® STV83/56-1 3-D (8.5 mm)
037968-1	enox polished	20	OBJECTA® STV83/56-1 3-D (8.5 mm)
S20065	RAL 9005 matt	20	OBJECTA® STV83/56-1 3-D (8.5 mm)