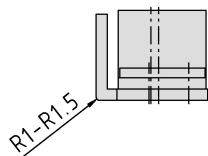
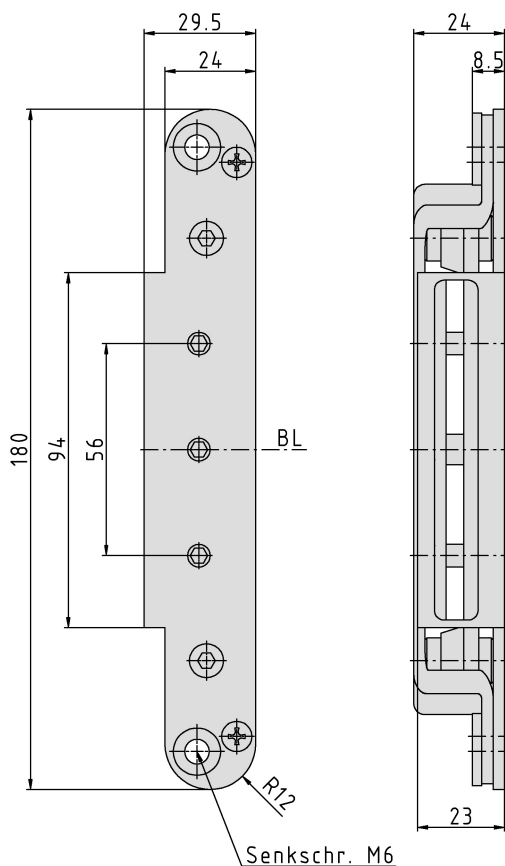
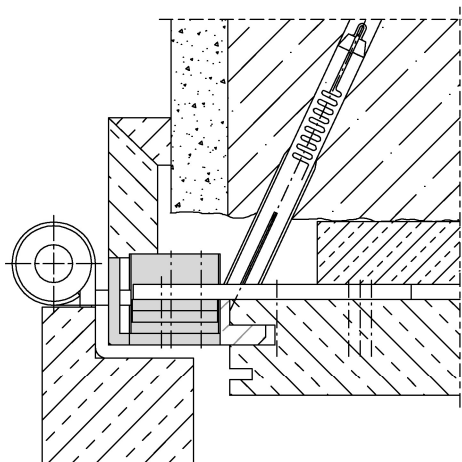


OBJECTA® STV74/56-1 3-D



Section Drawing



Additional Information

- Standard load: Maximum door weight 150 kg (per pair)
 Application: Wood frames, 3-D receiver, **fully assembled**, integr. pull-out protection, adjustment range 3 mm in all directions, solid front plate made of steel/enox, available in different, pre-installed heights
 Combination: all OBJECTA® heavy duty hinges with 56 mm (VX) connection size
 Accessories: Safety plates (p. 02.A30 ff.)

Item	Finish	PU	Remark
022555-1	enox brushed	20	OBJECTA® STV74/56-1 3-D (8.5 mm)
022798-1	nickel plated	20	OBJECTA® STV74/56-1 3-D (8.5 mm)
022846-1	weiß beschichtet	20	OBJECTA® STV74/56-1 3-D (8.5 mm)
037115-1	gold plated	20	OBJECTA® STV74/56-1 3-D (8.5 mm)
037116-1	satın nickel plater	20	OBJECTA® STV74/56-1 3-D (8.5 mm)
037723-1	satın chrome plat	20	OBJECTA® STV74/56-1 3-D (8.5 mm)
S20055	RAL 9005 matt	20	OBJECTA® STV74/56-1 3-D (8.5 mm)