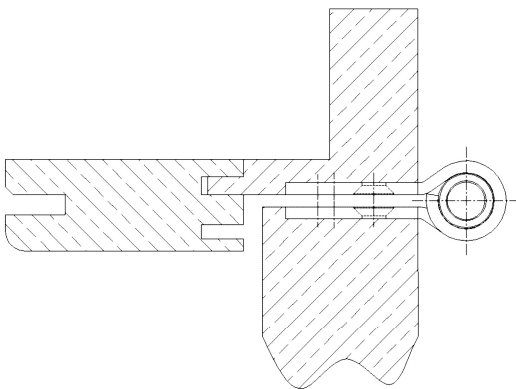


Additional Information

Standard load: Maximum door weight 120 kg (per pair)
 Application: Hinge for non-rebated doors set into block frames or face frames; maintenance-free, with fixing screw, detachable when mounted
 Receiver: none

Section Drawing



Certified according to



Item	Finish	PU
037698	enox brushed	20
041257	RAL 9005 matt	20