

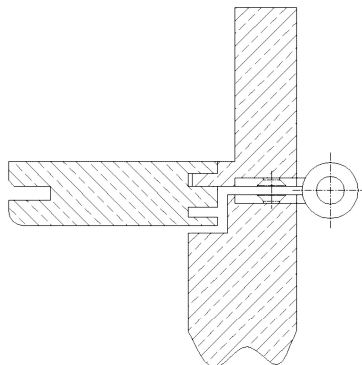
Additional Information

Standard load: Maximum door weight 120 kg (per pair)
Application:

Hinge for non-rebated or flush-mount rebated doors with small rabbet depth, maintenance-free, with fixing screw, detachable when mounted

Receiver: none

Section Drawing



Certified according to



Item	Finish	PU
037706	Niro gebürstet	20
037782	enox polished	20
039245	satın nickel plater	20