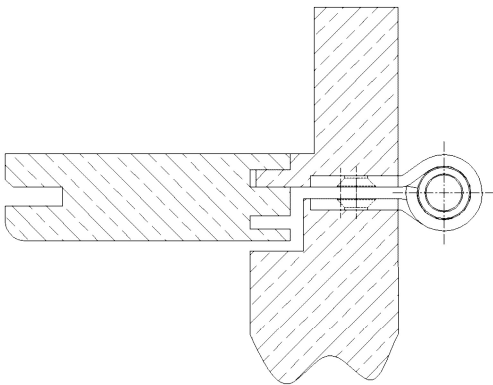


Additional Information

Standard load: Maximum door weight 100 kg (per pair)
 Application: Hinge for non-rebated or flush-mount rebated doors with small rabbet depth, maintenance-free, with fixing screw, detachable when mounted
 Receiver: none

Section Drawing



Certified according to



Item	Finish	PU
037751	Niro gebürstet	30