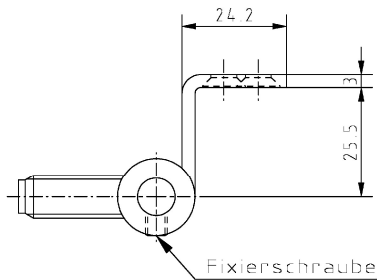
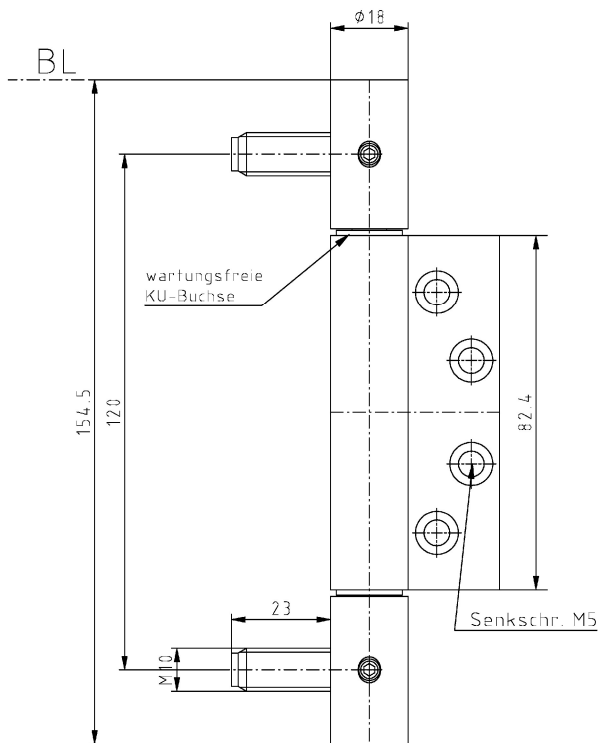


OBJECTA® 2889 MF M10 "Reno"



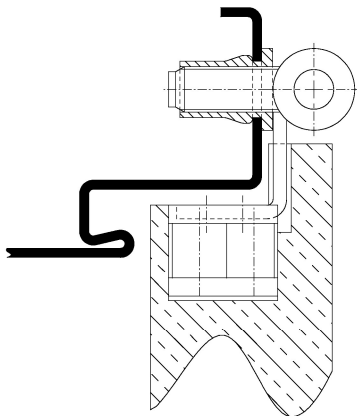
Additional Information

Standard load: Maximum door weight 100 kg (per pair)

Application: Renovation hinge for rebated doors in existing steel frames; adjustable with 3-D receiver in door leaf; maintenance-free, with fixing screw, detachable when mounted

Receiver: OBJECTA® 3-D receiver "Reno" STV113

Section Drawing



Item	Finish	PU
039881	enox brushed	20