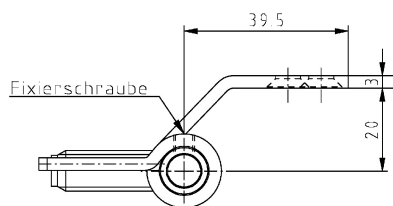
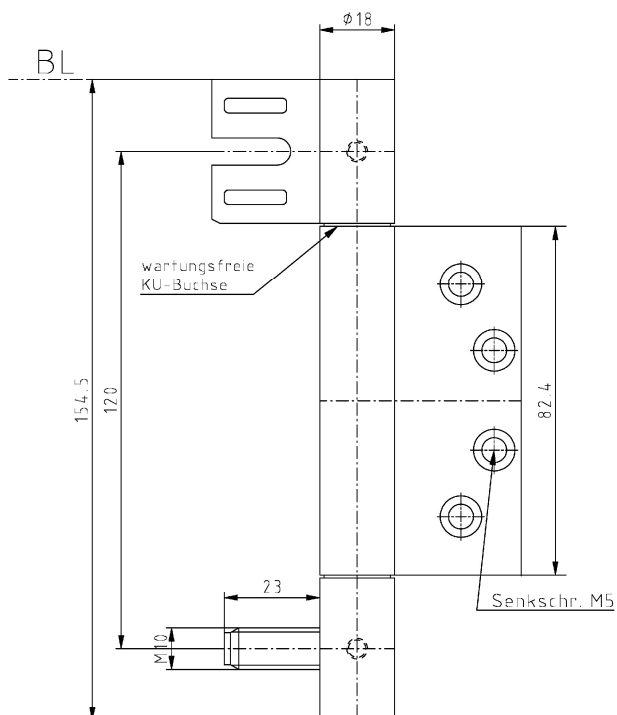


OBJECTA® 2886 MF "Reno" 3-D (M10/VS)

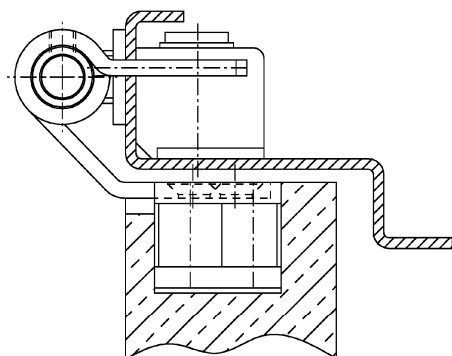


Additional Information

Standard load: Maximum door weight 100 kg (per pair)
Application: Renovation hinge for flush doors in existing steel frames; adjustable with 3-D receiver in door leaf; maintenance-free, with fixing screw, detachable when mounted

Receiver: OBJECTA® 3-D receiver "Reno" STV113
Remark: Available also with 2 identical frame parts (M10/M10 or VS/VS)

Section Drawing



Item	Finish	PU
040489	enox brushed	20