

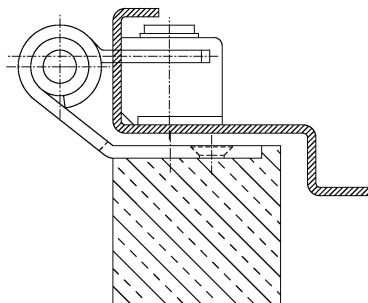
Additional Information

Standard load: Maximum door weight 80 kg (per pair)

Application: Non-rebated doors in steel frames, maintenance-free, with fixing screw, detachable when mounted

Receiver: Standard receiver element in steel frames, COMBICA® Metal Retainer 2680 (page 06.60)

Section Drawing



Certified according to



Item	Finish	PU Remark
022860	nickel plated	30 OBJECTA® 2044/2080/100 links
022890	enox brushed	30 OBJECTA® 2044/2080/100 links
022864	nickel plated	30 OBJECTA® 2044/2080/100 rechts
037940	enox brushed	30 OBJECTA® 2044/2080/100 rechts