

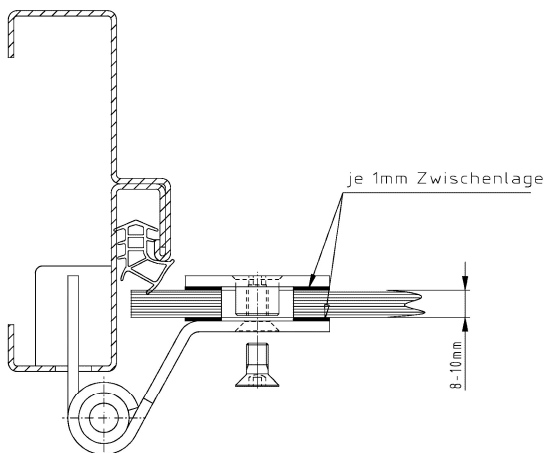
**Additional Information**

Standard load: Maximum door weight 60 kg (per pair)

Application: Glass doors in rebated frames, maintenance-free, with fixing screw, detachable when mounted.

Receiver: OBJECTA® 3-D receiver types according to chapter 2 with connection size 56 mm (VX).

**Section Drawing**



Item	Finish	PU
039585	enox brushed	20