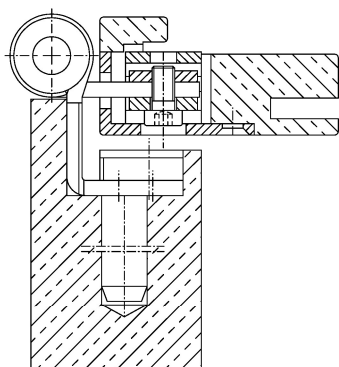


Section Drawing



Additional Information

Standard load: Maximum door weight 200 kg (per pair)
Application: Rebated doors with continuous seal, maintenance-free, with fixing screws, integrally removable, pivots provide additional stability; material thickness 4 mm, frame part closed according to RC3.

Receiver: OBJECTA® 3-D receiver STV115/56; connection size 56 mm (VX)

Certified according to



Item	Finish	PU
037852	Niro gebürstet	15