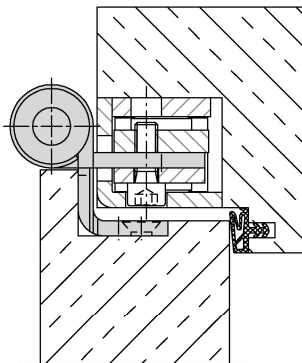


**Additional Information**

Standard load: Maximum door weight 350 kg (per pair)  
Application: Rebated doors, maintenance-free, with fixing screws, integrally removable; material thickness 4 mm; welded hinge barrels

Receiver: OBJECTA® 3-D receiver STV135/56; connection size 56 mm (VX)

**Section Drawing**



Certified according to



Item	Finish	PU
040678	Niro gebürstet	20