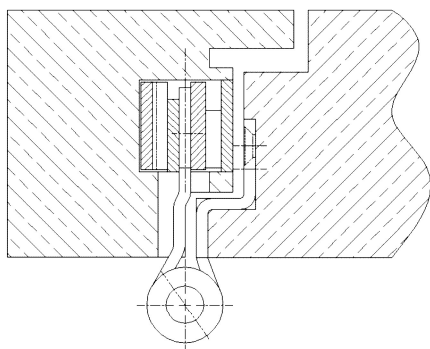


Additional Information

Standard load: Maximum door weight 100 kg (per pair)
Application: Flush-mount rebated doors, maintenance-free, with fixing screw, detachable when mounted.

Receiver: OBJECTA® 3-D receiver types STV76/56, STV113/56; OBJECTA® 3-D receiver in steel frames; connection size 56 mm (VX)

Section Drawing



Certified according to



Item	Finish	PU
039034	enox brushed	20