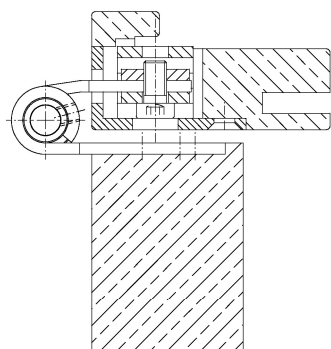


Additional Information

Standard load: Maximum door weight 160 kg (per pair)
 Application: Non-rebated doors, maintenance-free, w/fixing screws, detachable when mounted, slim design due to **18 mm barrel diameter**
 Receiver: OBJECTA® 3-D receiver types according to chapter 2 with connection size 56 mm (VX).

Section Drawing



Certified according to



Item	Finish	PU
037427	enox brushed	20
039623	nickel plated	20