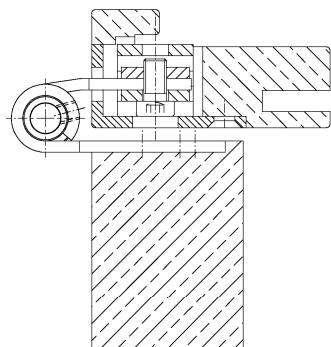


Additional Information

Standard load: Maximum door weight 100 kg (per pair)
 Application: Non-rebated doors, maintenance-free, w/fixing screws, detachable when mounted, slim design due to **18 mm barrel diameter**
 Receiver: OBJECTA® 3-D receiver types according to chapter 2 with connection size 56 mm (VX)

Section Drawing



Certified according to



Item	Finish	PU
039628	enox brushed	40
039629	nickel plated	40