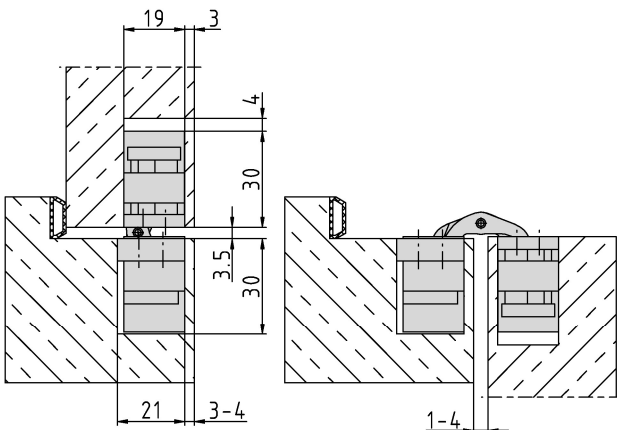


Additional Information

- Standard load: Maximum door weight 80 kg (per pair)
- Application: Concealed hinge for non-rebated doors, hinge leaves are mortised into frame and door; 3-dimensional adjustability, maintenance-free bearings
- Accessories: PIVOTA® DX safety plate for frame part, retainer for casing or steel frames
- Note: incl. fixing screws; also available in "Design"-option

Section Drawing



Item	Finish	PU
037869	satin nickel plated	2
040623	Alu Look F1	2
040811	simulated SS	2