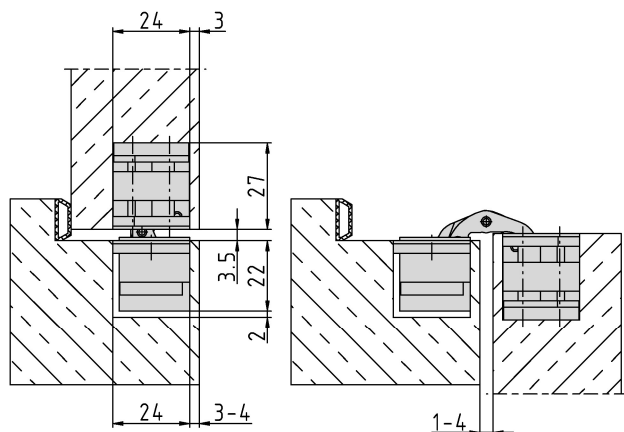


Section Drawing



Additional Information

- Standard load: Maximum door weight 60 kg (per pair)
- Application: Concealed hinge for non-rebated doors, hinge leaves are mortised into frame and door; 3-dimensional adjustability, maintenance-free bearings; magnetically fixed cover plates for optics free-of-screws
- Accessories: PIVOTA® DX safety plate for frame part, retainer for casing or steel frames
- Note: incl. fixing screws

Item	Finish	PU
039929	satin nickel plated	2
040605	simulated SS	2
S18097	RAL 9004 matt	2
S20057	RAL 9005 matt	2