

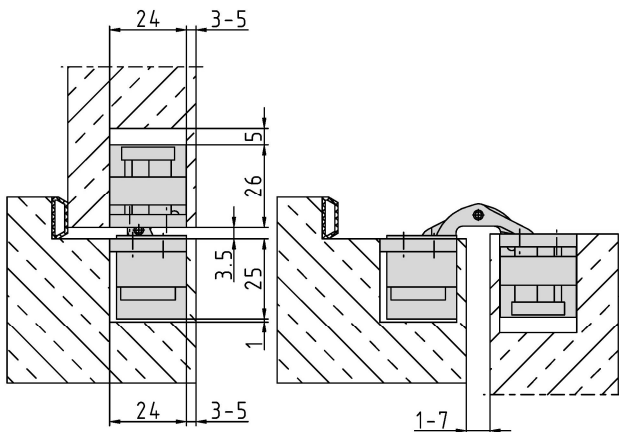
Spanplattensch. ø4.5
Senkschr. ISO 14581-M5



Additional Information

- Standard load: Maximum door weight 60 kg (per pair)
- Application: Concealed hinge for non-rebated doors, hinge leaves are mortised into frame and door; 3-dimensional adjustability, maintenance-free bearings
- Accessories: PIVOTA® safety plate for frame part, retainer for casing or steel frames
- Note: incl. fixing screws

Section Drawing



Item	Finish	PU
041084	satin nickel plated	2
041159	simulated SS	2
041174	Alu Look F1	2